

ANTI-JUMP

SLIDING DOOR VOL.02



EXPERIENCE
LUXURY
LIVING WITH
ENERGY

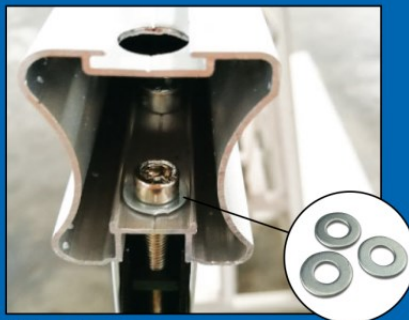


OUR FEATURES



Heavy Duty Screw

特制内六角自攻螺丝
螺纹深邃，密度高，锁紧性能高



Washer

不锈钢平垫圈
耐腐蚀，不易生锈
更稳固，更耐用



Dust Proof Strip

轨道防尘条
韧性高、耐磨、静音、顺畅



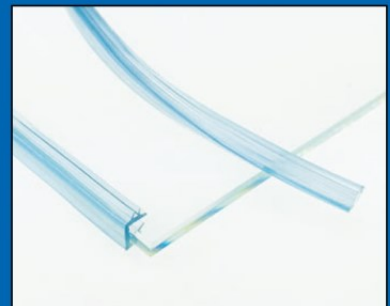
Upper Track Stopper

上轨道定位器
强力背胶免打孔，
稳固防撞、定位吸附



3 Colours of Door Strip to Match with the Aluminium Profile

移门毛条
3种颜色的毛条用于匹配
相应颜色的铝型材



Imported Transparent Rubber Gasket For 5mm Glass Thickness

透明密封条
使其不容易打开，起到减震、
防水、防尘、固定等作用的产品



ROLLER FOR ANTI JUMP SLIDING DOOR

All profile is come with 1 set of Heavy Duty Roller (Support up to 50KG)

滑轮采用高强度轴承
可承重 50KG

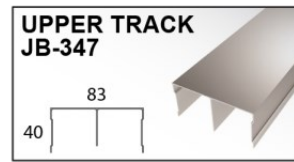
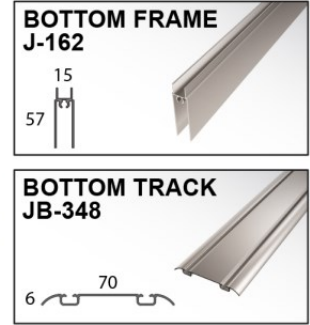
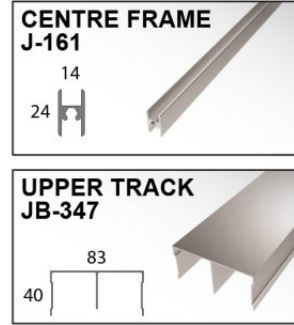
SJ-01

SJ-02

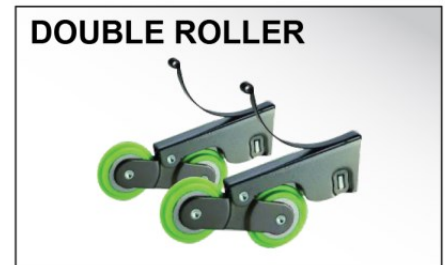
Application
Wardrobe | Sliding Partition

**ELEGANT
SERIES**

ALUMINIUM PROFILE



ACCESSORIES

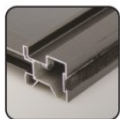


ALUMINIUM SURFACE COLOUR

GLASS TYPE



* MICRON *
TSNA



PCB
MATT BLACK



PCB
GLOSS WHITE



5mm Colour Glass,
Frosted Glass, Mirror...etc

* Product images are for illustrative purposes only and may differ from the actual product

JB-01

JB-03

Application
Wardrobe | Sliding Partition

**CLASSIC
SERIES**

ALUMINIUM PROFILE

**FRAME
JB-274**



**FRAME
JB-274**



**CENTRE FRAME
J-161**



**BOTTOM FRAME
J-162**



**UPPER TRACK
JB-347**



**BOTTOM TRACK
JB-348**



ACCESSORIES

**SOFT CLOSED
EF- SC2**



ROLLER (TOP & BOTTOM)



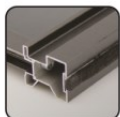
DOUBLE ROLLER



ALUMINIUM SURFACE COLOUR



* MICRON *
TSNA



PCB
MATT BLACK



PCB
GLOSS WHITE

GLASS TYPE



5mm Colour Glass,
Frosted Glass, Mirror...etc

JB-02

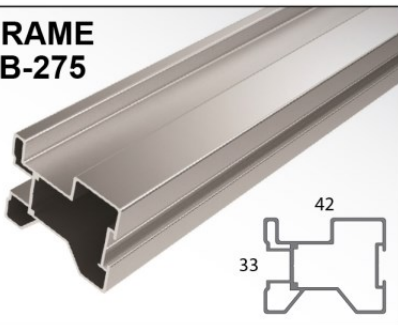
JB-04

Application
Wardrobe | Sliding Partition

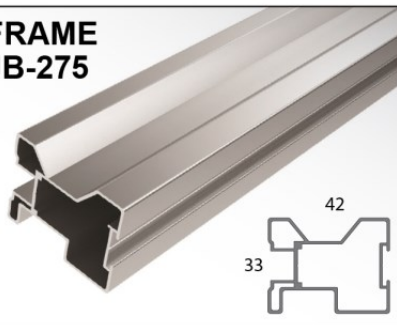
CLASSIC SERIES

ALUMINIUM PROFILE

**FRAME
JB-275**



**FRAME
JB-275**



**CENTRE FRAME
J-161**



**BOTTOM FRAME
J-162**



**UPPER TRACK
JB-347**



**BOTTOM TRACK
JB-348**



ACCESSORIES

**SOFT CLOSED
EF- SC2**



ROLLER (TOP & BOTTOM)



DOUBLE ROLLER

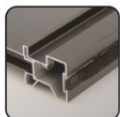


ALUMINIUM SURFACE COLOUR

GLASS TYPE



* MICRON *
TSNA



PCB
MATT BLACK



PCB
GLOSS WHITE



5mm Colour Glass,
Frosted Glass, Mirror...etc

* Product images are for illustrative purposes only and may differ from the actual product

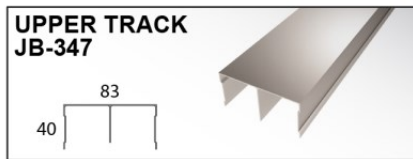
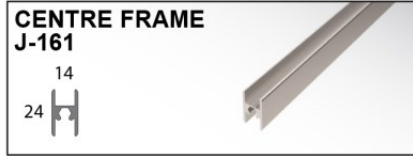
BJ-02



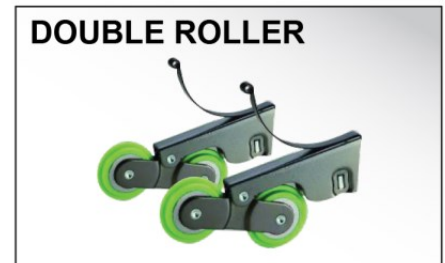
Application
Wardrobe | Sliding Partition

HEAVY SERIES

ALUMINIUM PROFILE



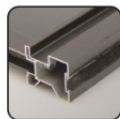
ACCESSORIES



ALUMINIUM SURFACE COLOUR



* MICRON *
TSNA



PCB
MATT BLACK



PCB
GLOSS WHITE

GLASS TYPE



5mm Colour Glass,
Frosted Glass, Mirror...etc

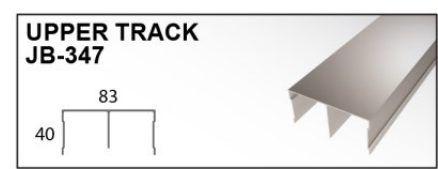
* Product images are for illustrative purposes only and may differ from the actual product

MJ-1

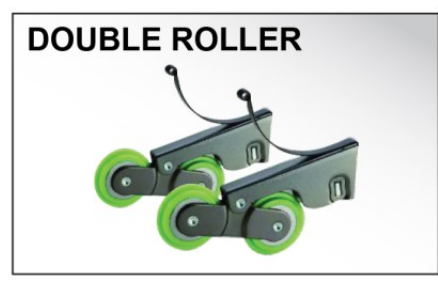
Application
Wardrobe | Sliding Partition

STEALTH SERIES

ALUMINIUM PROFILE



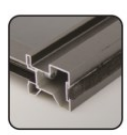
ACCESSORIES



ALUMINIUM SURFACE COLOUR



* MICRON *
TSNA



PCB
MATT BLACK



PCB
GLOSS WHITE

GLASS TYPE



5mm Colour Glass,
Frosted Glass, Mirror...etc

* Product images are for illustrative purposes only and may differ from the actual product

DJ-01

DJ-02



Application
Wardrobe | Sliding Partition

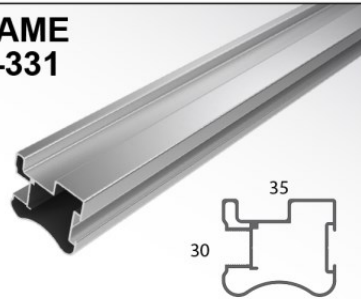
LITE SERIES

ALUMINIUM PROFILE

**FRAME
DJ-331**



**FRAME
DJ-331**



**CENTRE FRAME
DJ-325**



**BOTTOM FRAME
DJ-326**



**UPPER TRACK
DJ-324**



**BOTTOM TRACK
DJ-327**



ACCESSORIES

**SOFT CLOSED
EF- SC2**



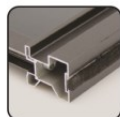
ROLLER (TOP & BOTTOM)



ALUMINIUM SURFACE COLOUR



NA



PCB
MATT BLACK



PCB
GLOSS WHITE

GLASS TYPE



5mm Colour Glass,
Frosted Glass, Mirror...etc

DJ-03

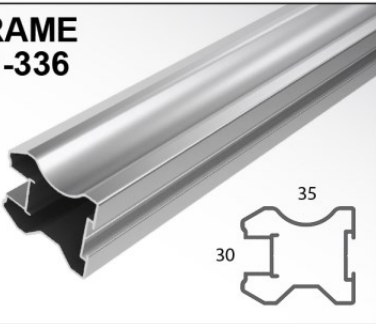
DJ-04

Application
Wardrobe | Sliding Partition

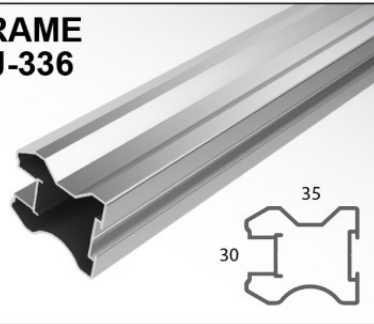
LITE SERIES

ALUMINIUM PROFILE

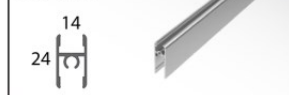
**FRAME
DJ-336**



**FRAME
DJ-336**



**CENTRE FRAME
DJ-325**



**BOTTOM FRAME
DJ-326**



**UPPER TRACK
DJ-324**



**BOTTOM TRACK
DJ-327**



ACCESSORIES

**SOFT CLOSED
EF- SC2**



**UP TO
50KG**

ROLLER (TOP & BOTTOM)

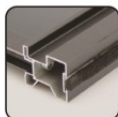


**UP TO
35KG**

ALUMINIUM SURFACE COLOUR



NA



PCB
MATT BLACK



PCB
GLOSS WHITE

GLASS TYPE



5mm Colour Glass,
Frosted Glass, Mirror...etc

THE ACCESSORIES

HEAVY WEIGHT SERIES (OPTIONAL)

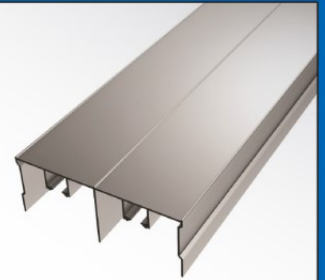
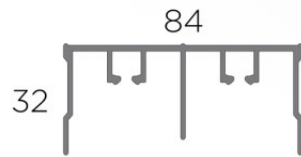
SOFT CLOSED



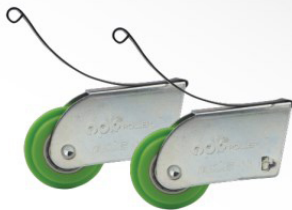
EF-SC-5T (TOP)
EF-SC-5B (BOTTOM)

UP TO 50KG

UPPER TRACK BJ-345

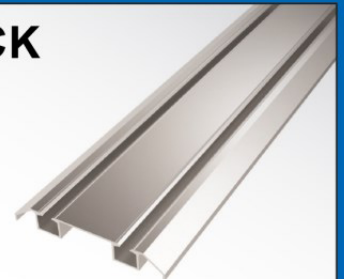


ROLLER (TOP & BOTTOM)



UP TO 50KG

BOTTOM TRACK BJ-346



ACCESSORIES MINUTES COMBINED INSTALLATION



SIMPLE



PRATICAL



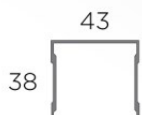
STANDARD



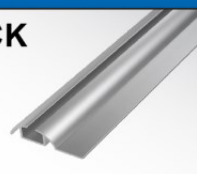
LUXURY

We're also available in SINGLE TRACK

UPPER TRACK



BOTTOM TRACK





OUR STORY

Incorporated in 2005, **ENERGY SAFETY GLASS SDN BHD** specializes in household Aluminum Glass Door, Cabinet Sliding Doors, Glass Processing Works, Tempered & Laminated Glass Production. As the leading name in aluminum R&D, it has successfully streamlined manufacturing and sales under one roof.

Since its inception, the company is synonymous with self-improvement, innovation, honesty and integrity.

ENERGY SAFETY GLASS SDN BHD is well known for its commitment to quality and friendly services. After more than a decade in the business, the company has grown remarkably in terms of product development and manufacturing.

The company's credibility in terms of product, technical know-how, and equipment has made them one of the most respected name in Klang valley.

Moving forward, the company's principle of providing the latest innovation via high quality services will be their main driving force. With clients placed at their utmost priority, they will constantly push the boundaries in terms of sales and service.



ENERGY MARKETING SDN. BHD. (1340363-K)

Lot 8965 (PT68909),
Jalan Udang Galah, Telok Gong,
42000 Port Klang, Selangor Darul Ehsan.

☎ (6) 03-3134 1175

☎ (6) 03-3134 1002

✉ ef_mrkt@hotmail.com

🌐 www.energyglass.com.my

📘 fb.com/energymarketingsdnbhd

